

User Manual ProScreen UD + Profix mounting system

Inhoudsopgave

1. Product description	2
2. Intended Use.....	2
3. Features/accessoires	2
4. Installation Instructions	3
5. Maintenance information.....	5
6. Repair information.....	6
7. Technical Specifications	6

1. Product description

This User manual is specific and only for our ProScreen Ultimate Duty air inlet screen including the Profix mounting system.

Mesh Reference	Aperture Length	Aperture Width	Bar Diameter
12940-1	1.8mm	1.2mm	0.7mm

2. Intended Use

The ProScreen will be used as a air inlet filter for your Cooling systems like Dry-Coolers, Condensers, Radiators and Air Handling Units by stopping airborne debris.

3. Features/accessoires

Every ProScreen will be custom made to fit the situation.

Every screen contains a border of 4.5 cm on both sides with Stainless Steel 304 grommets every 25-30 cm and next to each corner for securing the screen on the Profix mounting system.



Each ProScreen will be delivered with our special developed Profix mounting system which contains the following parts.



HS-PVC profile



Fastener

4. Installation Instructions

The complete system consists of 2 parts.

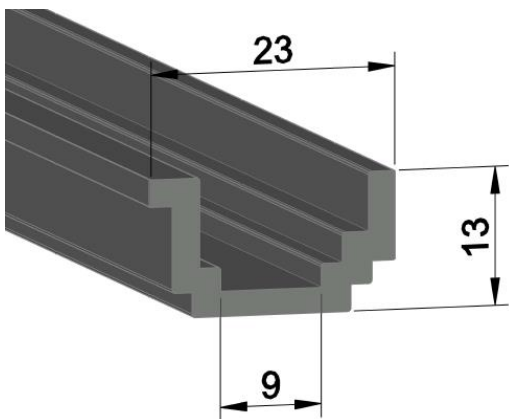


Profile

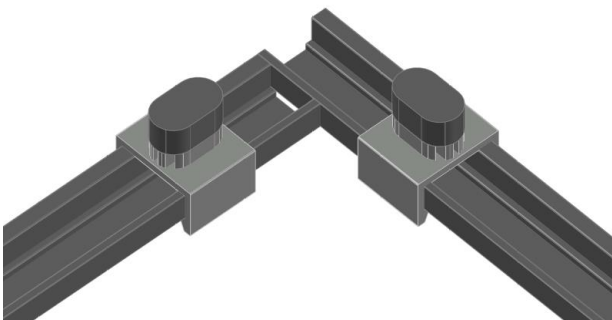


Fastener

Only the profile needs to be secured by screws to the machine on which the ProScreen is mounted.

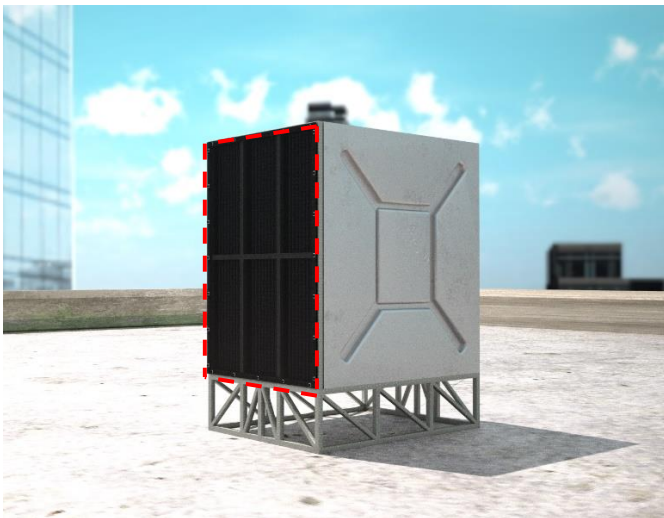


The fastener can be slide on to the profile from the side.



Step 1: Determining the location where the profile will be mounted.

Below you can see by means of a red dotted line where the profile should normally be mounted. This is usually mounted just outside the coils/heat exchanger on the housing of the cooling system.



- We recommend that you take the following points into account when mounting the profiles;
- Pre-drill the hole in the profile slightly larger than the diameter of the screw so that it is fixed in the construction of the machine, and the profile has room to expand and shrink.
- Make sure that the screw does not touch the coils/heat exchanger.
- Please keep in mind that PVC has a higher risk of cracking when processed under 5 degree Celsius.
- By processing I mean, for example, that screws are screwed in below 5 degrees. This does not mean that it will break or crack per definition below this temperature.
- PVC has the property of shrinking and/or expanding when temperatures changes. The profile is preferably mounted at a temperature between 10-20 degrees Celsius. When the temperature drops, the profile will shrink slightly. If the profile is mounted cold (below 10 degrees Celsius), the profile will expand when the temperature rises. Especially mounting in cold weather can give an increased risk of problems.

Screw options:

ALWAYS use flat head screws, as a countersunk screw head puts the profile under tension and eventually will crack / break.

For easy installation, working with self-screwing self-tapping screws is a good option.

Preferably use a self-tapping screw with a rubber ring under the head, so that the PVC profile can adapt to temperature changes.

Please note that the head of the screw falls on the bottom of the profile and not on the internal raised part



Step 2: Mounting the profile on the unit

Now that you have determined the location for mounting the profiles, it is time to mount the profiles on the system.

1. Always mount the profile at the top of the unit over the full width first.
2. The first screw should be drilled 5 cm from the edge of the profile
3. When you have mounted the first profile slide the correct amount of mounting clips / fasteners onto the profile. (according to the amount of grommets)
4. If you have installed the profile at the top, hang the screen on the top profile for a while to align the bottom, so that the bottom profile is in the right place and the screen hangs nicely.
5. Repeat these steps with the mounting of the remaining profiles on the sides.

5. Maintenance information

Maintenance throughout the year

ProScreen UD air inlet screen mesh can normally be cleaned without removal, by using a hose, vacuum or soft brush. Rainfall will also have a cleaning function and will wash the debris away from the ProScreen if the unit is not drawing air.

During spring and autumn the outside conditions can be harder for the screen, so we advise to do extra checkups during this period if the screen is still functioning like its supposed to do.

Although it is easy to clean the screen, it is important that you will do the following steps during its lifetime to remain the same specifications as of the moment you've installed the screen.

Check the ProScreen every month for the following

- Check the screen for contamination. If the contamination seals the entire screen, it is necessary to clean the screen.
- Check whether the Profix mounting system is still fully assembled and without any damage
- Check that all fasteners are still closed properly and the screen cannot come off.
- Process the monthly checkups at all times in a logfile.
- Every 6 months a picture must be taken of the situation starting from the start.

In case of any breakage or deviations of the screen, pass the comments on to your ProScreen contact person as soon as possible, so that the problem can be resolved as soon as possible.

Major maintenance every year

In order to guarantee proper functioning of the screen, it is important that an extensive cleaning is carried out every year.

Given the different circumstances during the year, we recommend doing this in the beginning of spring, because then most of the pollution will be present in the outside air.

The screen can be cleaned with 20 ml of detergent, 40 ml of bleach and 5 liters of water.

Make sure that also the Profix mounting system gets cleaned during this session.

6. Repair information

If the screen breaks during the warranty period, we will replace the broken parts free of charge.

In case of damage, it is important that you report the problem to your contact person as soon as possible so that we can solve the problem as quickly as possible.

If the damage has occurred after the warranty period, it will be assessed whether the damage was caused by a manufacturing defect, or other circumstances.

We will of course look for a suitable solution in every situation.

7. Technical Specifications

- UV resistant
- Working temperature from -15 ° C to + 50 ° C
- SS304 mounting eyes
- Acrylic stitched border material all around
- Air resistance +/- 11 Pa at 2.0 m / s
- Suitable for external application
- Colour: Black

Mesh Reference	Aperture Length	Aperture Width	Bar Diameter
12940-1	1.8mm	1.2mm	0.7mm